



# MCMORRAN FACILITY RULES & POLICIES

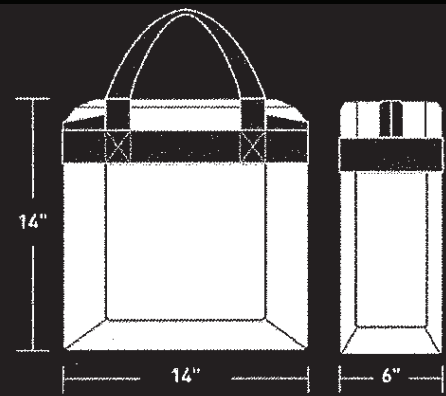
## MCMORRAN BAG POLICY

McMorran prohibits items such as bags and briefcases larger than 14" x 14" x 6" from entering the arena. Hard-sided bags of any kind are prohibited. This is designed to provide a safer environment for the public and expedite entry for guests.

### APPROVED BAGS

SHOULD NOT EXCEED 14" x 14" x 6"

Diaper bags and medical bags are permitted.



## REFUND/EXCHANGE POLICY

After your purchase, **refunds are not permissible**. Exchanges can be processed at the main box office only 24 hours before the performance showtime. A \$5 per ticket fee will apply on all exchanges. **The Day of the Event All Seats Are Best Available.**

## OUTSIDE FOOD OR BEVERAGES

McMorran prohibits any outside food or beverages of any kind into any event. This is to ensure the health and safety of our patrons.

## MCMORRAN SMOKING POLICY

For the comfort and safety of our guests, McMorran and its surrounding areas are non-smoking and re-entry to the facility after exiting is not allowed. For some events smoking will be allowed only during intermissions at designated areas.